

CONSTRUCTION TESTING CORPORATION

13873 N.W. 19th Avenue Miami, Florida 33054

Phone : 305-685-6657 Fax : 305-685-6659 Email : ctclab@bellsouth.net

Report No: 04-009 FE FBC

19 July 2004

Test Dates: 14, 26, 27 & 28 May, 2 June & 5 July 2004

Testing : Polycarbonate Hurricane Shutter Panels

Client:

Transparent Protection Systems, Inc.

6643 North 42nd Terrace
West Palm Beach, FL 33407

Phone: 888-447-8320 Fax: 561-844-2445

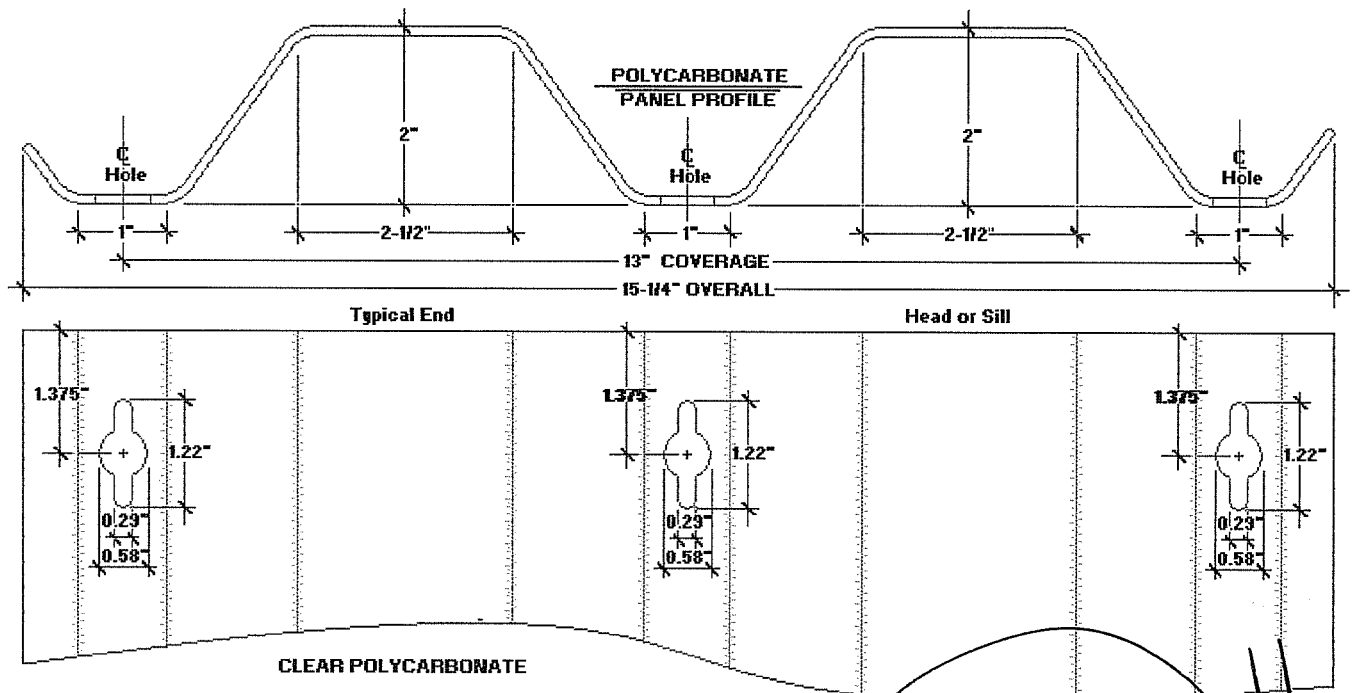
General: This test report incorporates into one document three testing activities. These are:

1. Uniform Static Air Pressure, per FBC 2001, TAS 202-94
2. Large Missile Impacts, per FBC 2001, TAS 201-94
3. Cyclic Wind Pressure Loading, per FBC 2001, TAS 203-94

Witness to Testing:

Yamil G. Kuri, P.E. : CTC Official Witness, Raina Williams, CTC Assistant & George Dotzler, CTC Test Engineer

Description of Specimens: Specimens were nominal 1/10" polycarbonate Storm Panels (Mic'd thickness varied across section from 0.0905" to 0.1185"). These panels were extruded into a two ribbed 2" x 13" section with a nominal coverage of 13" per panel manufactured by **Transparent Protection Systems, Inc. of West Palm Beach, Florida**. These panels utilized the a double key hole punch pattern at each end of the panels as shown in the diagram below. Specimen were all three panels wide (41 1/4") lengths varied from 60" to 144". Specimen were mounted in a variety of fastenings these are detailed on the following page. Specimen were installed without intermediate supports to the panel overlaps. Detailed descriptions of each specimen are included immediately preceding the relevant test data together with section drawings.



Reports pertain to the samples tested only and may not be reproduced without permission. Copyright 2004

04-009 FE FBC : 19 July 2004 : Page 1 of 12

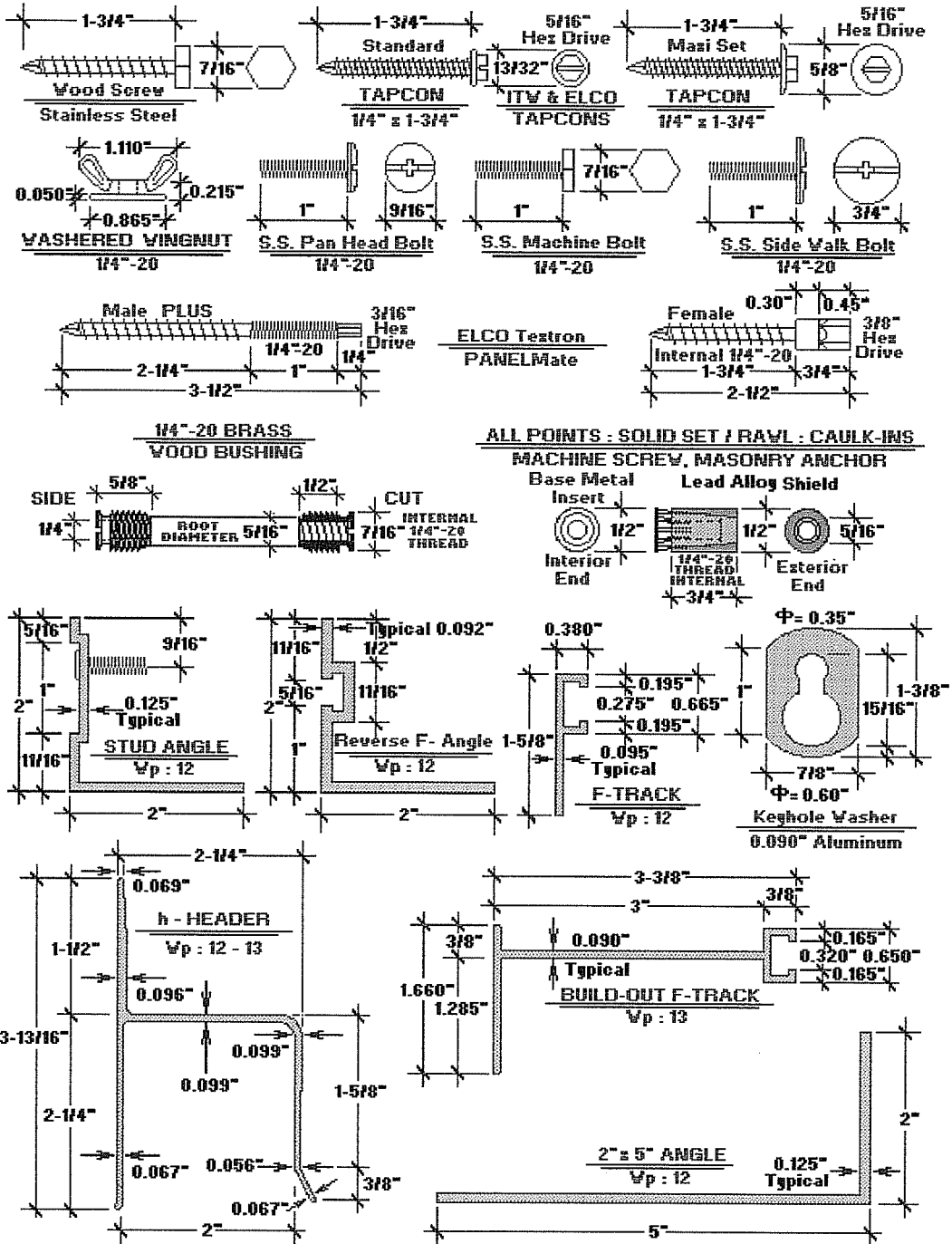
AUG 12 2004

CONSTRUCTION TESTING CORPORATION

13873 N.W. 19th Avenue Miami, Florida 33054

Phone : 305-685-6657 Fax : 305-685-6659 Email : ctclab@bellsouth.net

DETAILS: Test specimens were installed with the following fasteners and aluminum extrusion:



A "Webster" gauge was utilized to determine the material hardness of aluminum components. These readings are indicated (W: 13) for example where the gauge registered a 13 hardness taken off of a mill finish extrusion. Where gauge readings are taken off of a painted aluminum component, readings are indicated (Wp: 11.5) for example. Where a number of similar aluminum components were sampled and a range of readings were found these are shown as (W: 11.5-13) or as (Wp: 10-12) for example.

Reports pertain to the samples tested only and may not be reproduced without permission. Copyright 2004

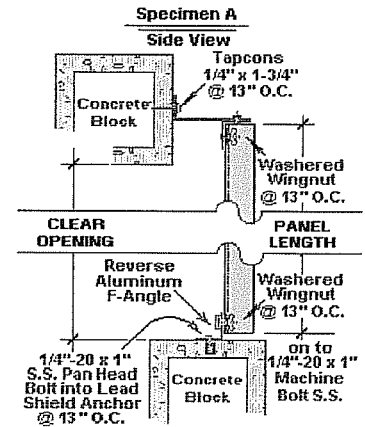
CONSTRUCTION TESTING CORPORATION

13873 N.W. 19th Avenue Miami, Florida 33054

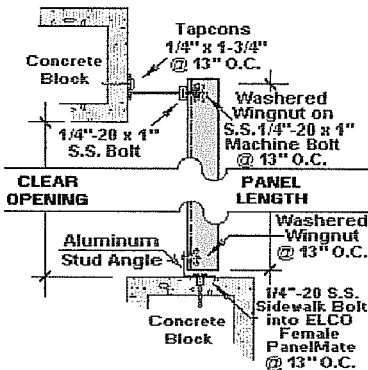
Phone : 305-685-6657 Fax : 305-685-6659 Email : ctclab@bellsouth.net

Specimen A : Build Out / Floor, Mount : 144" Panels : 140" C.O. Impacts & Cyclic Wind Loading

Head: Panels were mounted at 13" on center (O.C.) with washered wing nuts onto a studded aluminum angle. This angle was secured with #14 x 3/4" stainless steel (S.S.), self drilling self tapping (SDST) screws at 13" O.C. to the 5" leg of a 2" x 5" aluminum angle, forming a 3" build out. This 2" x 5" angle was in turn secured to a concrete block beam with standard 1/4" x 1-3/4" ELCO Tapcon masonry screws at 13" O.C. by it's 2" leg which was turned away from the opening. **Sill:** Panels were mounted at 13" O.C. with washered wing nuts onto stainless steel, 1/4"-20 x 1" machine bolts trapped into an aluminum reverse f-track. This reverse f-angle was secured to a concrete block beam at 13" on center with S.S. 1/4"-20 x 1" pan head bolts (9/16" head and combination slot & phillips drive) into RAWL, Caulk-In, machine bolt, masonry anchors.



Specimen B
Side View

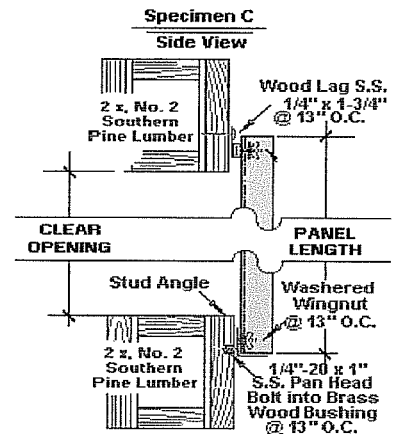


Specimen B : Build Out / Floor, Mount : 144" Panels : 140" C.O. Impacts & Cyclic Wind Loading

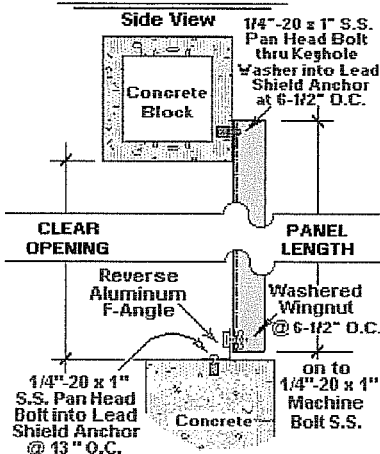
Head: Panels were mounted at 13" O.C. with washered wing nuts onto stainless steel, 1/4"-20 x 1" machine bolts trapped into a build out F-track extrusion. This extrusion was secured to a concrete block beam at 13" O.C. with ELCO Maxi Set 1/4" x 1-3/4" Tapcon masonry screws. **Sill:** Panels were mounted at 13" O.C. with washered wing nuts onto a studded aluminum angle. This angle was secured at 13" O.C. with S.S. 1/4"-20 x 1/2" side walk bolts (3/4" head and combination slot & phillips drive) into ELCO PanelMate, Female, wood & masonry anchors secured to a concrete block beam.

Specimen C : Wall / Wall, Mount : 144" Panels : 140" C.O. Impacts & Cyclic Wind Loading

Head: Panels were mounted at 13" O.C. with washered wing nuts onto stainless steel, 1/4"-20 x 1" machine bolts trapped into a F-track extrusion. This extrusion was secured to a No: 2 Southern Pine lumber beam at 13 O.C. with S.S. 1/4" x 1-3/4" wood lags. **Sill:** Panels were mounted at 13" O.C. with washered wing nuts onto a studded aluminum angle. This angle was secured at 13" O.C. with S.S. 1/4"-20 x 1" pan head bolts (9/16" head and combination slot & phillips drive) into All Points, brass wood bushings secured into a No: 2 Southern Pine lumber beam.



Specimen I1, I2, I3 & I4



- Specimen I1 : Wall / Floor, Mount : 120" Panels : 117" C.O. : Impacts
- Specimen I2 : Wall / Floor, Mount : 103" Panels : 100" C.O. : Impacts
- Specimen I3 : Wall / Floor, Mount : 84" Panels : 81" C.O. : Impacts
- Specimen I4 : Wall / Floor, Mount : 60" Panels : 57" C.O. : Impacts

Head: Panels were directly mounted at 6 1/2" O.C. with S.S. 1/4"-20 x 1" pan head bolts (9/16" head and combination slot & phillips drive) through an aluminum keyhole washer into All Point, Solid Set, machine bolt, masonry anchors set into a concrete block beam. **Sill:** Panels were mounted at 6 1/2" O.C. with washered wing nuts onto stainless steel, 1/4"-20 x 1" machine bolts trapped into an aluminum reverse f-track. This reverse f-angle was secured to a concrete floor slab at 13" on center with S.S. 1/4"-20 x 1" pan head bolts (9/16" head and combination slot & phillips drive) into All Point, Solid Set, machine bolt, masonry anchors.

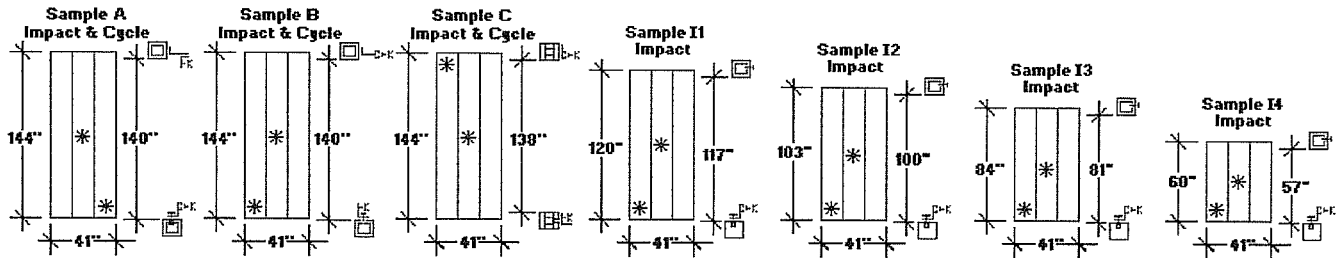
Reports pertain to the samples tested only and may not be reproduced without permission. Copyright 2004

AUG 12 2004

CONSTRUCTION TESTING CORPORATION

13873 N.W. 19th Avenue Miami, Florida 33054

Phone : 305-685-6657 Fax : 305-685-6659 Email : ctclab@bellsouth.net



Impact and Cyclic Wind Loading / Manner of Testing: In accordance with the **FLORIDA BUILDING CODE 2001, TESTING APPLICATIONS STANDARD (TAS) 201-94, IMPACT TEST PROCEDURES** and **TESTING APPLICATIONS STANDARD (TAS) 203-94, CRITERIA FOR TESTING PRODUCTS SUBJECT TO CYCLIC WIND PRESSURE LOADING.**

The specimens, A, B & C, as previously described, were impacted (as shown in the diagram above) with a 9.02 lb, 96" long, S4S, 2x4, of No. 2 Southern Pine lumber, in locations as directed by the client consulting engineer.

Impact Test Results

ID	Size	Location Rt(in), Up(in) {1}	Location Description {2}	Velocity Ft/Sec {3}	Deflection Inches {4}	Permanent Set Inches {5}
A	41" x 144"	21, 72	Center Panel 2 / 3	49.2	7.25	0.00
A	41" x 144"	33, 8	Lower Right Corner	49.6	3.50	3.50
B	41" x 144"	21, 71	Center Panel 2 / 3	49.1	7.50	0.00
B	41" x 144"	6, 12	Lower Left Corner	49.3	2.00	0.00
C	41" x 144"	21, 72	Center Panel 2 / 3	49.7	7.00	0.00
C	41" x 144"	8, 133	Upper Left Corner	49.6	3.00	0.00
I1	41" x 120"	21, 60	Center Panel 2 / 3	49.7	6.50	0.00
I1	41" x 120"	7, 11	Lower Left Corner	49.6	2.69	2.00
I2	41" x 103"	21, 52	Center Panel 2 / 3	49.6	6.00	0.00
I2	41" x 103"	6, 12	Lower Left Corner	49.5	2.88	1.75
I3	41" x 84"	21, 41	Center Panel 2 / 3	49.5	5.25	0.00
I3	41" x 84"	8, 11	Lower Left Corner	49.7	2.25	1.88
I4	41" x 60"	21, 29	Center Panel 2 / 3	49.3	4.13	0.00
I4	41" x 60"	6, 12	Lower Left Corner	49.5	2.38	2.00

- (1) : Impact location given on Cartesian grid, right and up from lower left hand corner.
- (2) : The location description relative to the product assembly.
- (3) : Impact velocity measured with an Oehler Chronometer model 35P, verified by the video method.
- (4) : Deflections recorded by the change in height of a collapsed aluminum foil cylinder
- (5) : Set readings made from the deformed product to a reference plane with a steel ruler.

Reports pertain to the samples tested only and may not be reproduced without permission. Copyright 2004

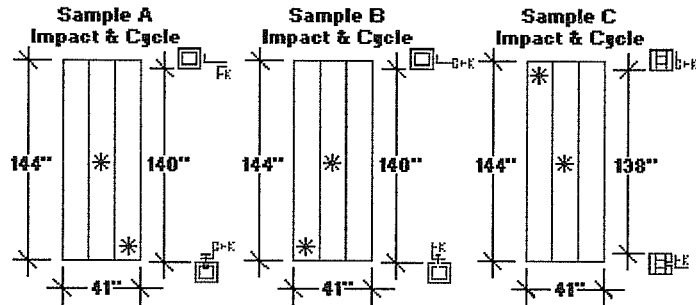
04-009 FE FBC : 19 July 2004 : Page 4 of 12

AUG 12 2004

CONSTRUCTION TESTING CORPORATION

13873 N.W. 19th Avenue Miami, Florida 33054

Phone : 305-685-6657 Fax : 305-685-6659 Email : ctclab@bellsouth.net



Following impacts, specimens A, B & C were cyclic wind loaded as directed by the **FBC 2001, TAS 203-94, CRITERIA FOR TESTING PRODUCTS SUBJECT TO CYCLIC WIND PRESSURE LOADING**, in accordance with **Table 1625.4 : Fatigue Loading Sequence**, located in chapter 16, **FBC 2001**. In general, numerous static air pressure cycles are applied to the specimen at varying load levels based upon the positive and negative design load levels. Polyethylene film (2 mil) and tape were used to seal air leakage during loads and were used in a manner that did not influence the results. A detailed account of the cyclic wind loads applied and resulting deflections at the centerline of the specimen's primary span follows:

No. Cycles	Range	Design PSF	Load PSF	Defl'ns A Inches	Defl'ns B Inches	Defl'ns C Inches
0				0.000	0.000	0.000
600	0% to 50% Pos. DL	39.0	19.5	4.750	4.875	4.250
70	0% to 60% Pos. DL	39.0	23.4	5.000	5.125	5.000
1	0% to 130% Pos. DL	39.0	50.7	8.750	9.000	8.250
0	At Rest			0.250	0.313	0.188
0				0.000	0.000	0.000
600	0% to 60% Neg. DL	(39.0)	(19.5)	5.250	5.313	4.500
70	0% to 60% Neg. DL	(39.0)	(23.4)	5.750	5.813	5.625
1	0% to 60% Neg. DL	(39.0)	(50.7)	9.000	9.125	8.500
0	At Rest			0.250	0.375	0.250
1342	Total Cycles					

Reports pertain to the samples tested only and may not be reproduced without permission. Copyright 2004

04-009 FE FBC : 19 July 2004 : Page 5 of 12

AUG 12 2004

CONSTRUCTION TESTING CORPORATION

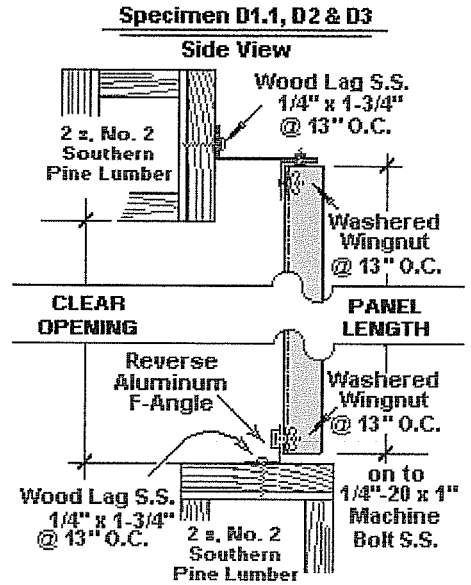
13873 N.W. 19th Avenue Miami, Florida 33054

Phone : 305-685-6657 Fax : 305-685-6659 Email : ctclab@bellsouth.net

Specimen D1.1 : Build Out / Floor, Mount : 84" Panels : 80" C.O. : +Wind

Head: Panels were mounted at 13" on center with washered wing nuts onto a studded aluminum angle. This angle was secured with #14 x 3/4" stainless steel, self drilling, self tapping, screws at 13" on center to the 5" leg of a 2" x 5" aluminum angle, forming a 3" build out. This 2" x 5" angle was in turn secured to a No: 2 Southern Pine lumber beam at 13 on center with S.S. 1/4" x 1-3/4" wood lags. **Sill:** Panels were mounted at 13" O.C. with washered wing nuts onto stainless steel, 1/4"-20 x 1" machine bolts trapped into an aluminum reverse f-track. This reverse f-angle was secured to a No: 2 Southern Pine lumber beam at 13 on center with S.S. 1/4" x 1-3/4" wood lags.

Static Wind Loading / Manner of Testing: In accordance with FBC 2001, TAS 202-94, CRITERIA FOR TESTING IMPACT & NON IMPACT RESISTANT BUILDING ENVELOPE COMPONENTS USING UNIFORM STATIC AIR PRESSURE : Loads were applied to the specimen (30 second duration) at levels specified by the client's Consulting Engineer. Polyethylene film (2 mil) and tape were used to seal air leakage during loads these were used in a manner that did not influence the results. Gauges were mounted along the centerline of the specimen's primary span to record deflections. Deflection readings follow:



Wind Load Data : Specimen D1.1

Load PSF	Load in H2O	Top		Center		Bottom		NET		Gross	
		Defl'n at Load	Defl'n at Load	Defl'n at Load	Defl'n at Load	Defl'n at Load	Defl'n at Load	Defl'n at Load	Defl'n at Load	Percent Recovery	Percent Recovery
0.0	0.0	0.000	0.000	0.000	0.000	0.000	0.000	0.000	0.000	NA	NA
10.4	2.0	0.000	0.000	1.313	0.000	0.000	0.000	1.313	0.000	100.0%	100.0%
20.8	4.0	0.000	0.000	2.625	0.000	0.000	0.000	2.625	0.000	100.0%	100.0%
31.2	6.0	0.031	0.000	3.375	0.000	0.000	0.000	3.359	0.000	100.0%	100.0%
41.6	8.0	0.063	0.000	4.063	0.000	0.000	0.000	4.031	0.000	100.0%	100.0%
52.0	10.0	0.094	0.000	4.750	0.031	0.000	0.000	4.703	0.031	99.3%	99.3%
62.4	12.0	0.125	0.000	5.375	0.063	0.000	0.000	5.313	0.063	98.8%	98.8%
72.8	14.0	0.156	0.031	6.125	0.125	0.031	0.000	6.031	0.109	98.2%	98.0%
83.2	16.0	0.188	0.094	6.750	0.188	0.063	0.031	6.625	0.125	98.1%	97.2%
93.6	18.0	0.219	0.125	7.438	0.250	0.094	0.063	7.281	0.156	97.9%	96.6%
104.0	20.0	0.250	0.188	8.125	0.313	0.125	0.094	7.938	0.172	97.8%	96.2%
114.4	22.0	NR	NR	NR	NR	NR	NR				

Shear Failure at ~20-1/4" H2O, at head, 2nd & 3rd panel overlap torn from fastener.

Reports pertain to the samples tested only and may not be reproduced without permission. Copyright 2004

AUG 12 2004

CONSTRUCTION TESTING CORPORATION

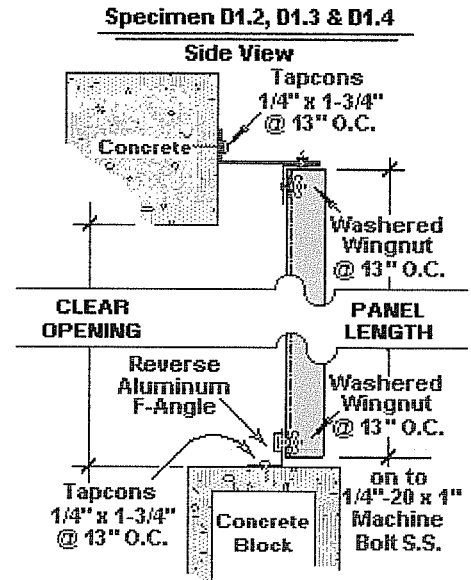
13873 N.W. 19th Avenue Miami, Florida 33054

Phone : 305-685-6657 Fax : 305-685-6659 Email : ctclab@bellsouth.net

Specimen D1.2 : Build Out / Floor, Mount : 84" Panels : 80" C.O. : -Wind

Head: Panels were mounted at 13" on center with washered wing nuts onto a studded aluminum angle. This angle was secured with #14 x 3/4" stainless steel, self drilling, self tapping, screws at 13" on center to the 5" leg of a 2" x 5" aluminum angle, forming a 3" build out. This 2" x 5" angle was in turn secured to a concrete beam at 13" on center with Maxi Set 1/4" x 1-3/4" ITW Tapcon masonry screws. **Sill:** Panels were mounted at 13" on center with washered wing nuts onto stainless steel, 1/4"-20 x 1" machine bolts trapped into an aluminum reverse f-track. This reverse f-angle was secured at 13" on center to a concrete block beam with standard 1/4" x 1-3/4" ITW Tapcon masonry screws.

Static Wind Loading / Manner of Testing: In accordance with FBC 2001, TAS 202-94, CRITERIA FOR TESTING IMPACT & NON IMPACT RESISTANT BUILDING ENVELOPE COMPONENTS USING UNIFORM STATIC AIR PRESSURE : Loads were applied to the specimen (30 second duration) at levels specified by the client's Consulting Engineer. Polyethylene film (2 mil) and tape were used to seal air leakage during loads these were used in a manner that did not influence the results. Gauges were mounted along the centerline of the specimen's primary span to record deflections. Deflection readings follow:



Wind Load Data : Specimen D1.2

Load PSF	Load in H2O	Top		Center		Bottom		NET		Gross	
		Defl'n at Load	Defl'n at Load	Defl'n at Load	Defl'n at Load	Defl'n at Load	Defl'n at Load	Defl'n at Load	Defl'n at Load	Percent Recovery	Percent Recovery
0.0	0.0	0.000	0.000	0.000	0.000	0.000	0.000	0.000	0.000	NA	NA
(10.4)	2.0	0.031	0.000	1.500	0.000	0.000	0.000	1.484	0.000	100.0%	100.0%
(20.8)	4.0	0.063	0.000	2.750	0.000	0.000	0.000	2.719	0.000	100.0%	100.0%
(31.2)	6.0	0.094	0.000	3.563	0.000	0.000	0.000	3.516	0.000	100.0%	100.0%
(41.6)	8.0	0.125	0.000	4.250	0.000	0.000	0.000	4.188	0.000	100.0%	100.0%
(52.0)	10.0	0.156	0.000	4.938	0.031	0.000	0.000	4.859	0.031	99.4%	99.4%
(62.4)	12.0	0.188	0.094	5.688	0.063	0.031	0.016	5.578	0.008	99.9%	98.9%
(72.8)	14.0	0.250	0.125	6.313	0.125	0.063	0.047	6.156	0.039	99.4%	98.0%
(83.2)	16.0	0.281	0.156	7.000	0.219	0.094	0.063	6.813	0.109	98.4%	96.9%
(93.6)	18.0	0.313	0.188	7.688	0.250	0.125	0.094	7.469	0.109	98.5%	96.7%
(98.8)	19.0	0.344	0.250	8.000	0.375	0.125	0.125	7.766	0.188	97.6%	95.3%
(104.0)	20.0	NR	NR	NR	NR	NR	NR				

Shear Failure at ~19-1/2" H2O, at sill, 1st & 2nd panel overlap torn from fastener.

AUG 12 2004

CONSTRUCTION TESTING CORPORATION

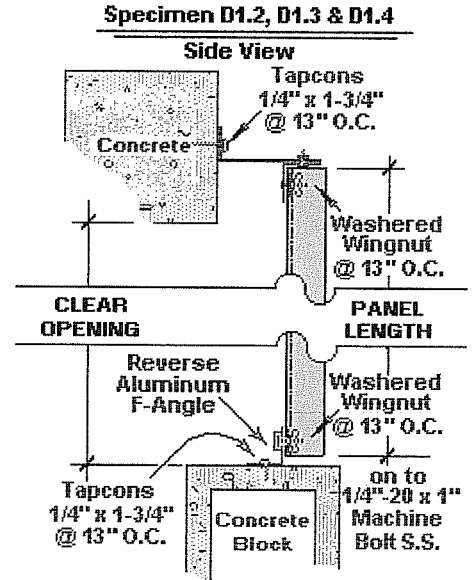
13873 N.W. 19th Avenue Miami, Florida 33054

Phone : 305-685-6657 Fax : 305-685-6659 Email : ctclab@bellsouth.net

Specimen D1.3 : Build Out / Floor, Mount : 84" Panels : 80" C.O. : -Wind

Head: Panels were mounted at 13" on center with washered wing nuts onto a studded aluminum angle. This angle was secured with #14 x 3/4" stainless steel, self drilling, self tapping, screws at 13" on center to the 5" leg of a 2" x 5" aluminum angle, forming a 3" build out. This 2" x 5" angle was in turn secured to a concrete beam at 13" on center with Maxi Set 1/4" x 1-3/4" ITW Tapcon masonry screws. **Sill:** Panels were mounted at 13" on center with washered wing nuts onto stainless steel, 1/4"-20 x 1" machine bolts trapped into an aluminum reverse f-track. This reverse f-angle was secured at 13" on center to a concrete block beam with standard 1/4" x 1-3/4" ITW Tapcon masonry screws.

Static Wind Loading / Manner of Testing: In accordance with FBC 2001, TAS 202-94, CRITERIA FOR TESTING IMPACT & NON IMPACT RESISTANT BUILDING ENVELOPE COMPONENTS USING UNIFORM STATIC AIR PRESSURE : Loads were applied to the specimen (30 second duration) at levels specified by the client's Consulting Engineer. Polyethylene film (2 mil) and tape were used to seal air leakage during loads these were used in a manner that did not influence the results. Gauges were mounted along the centerline of the specimen's primary span to record deflections. Deflection readings follow:



Wind Load Data : Specimen D1.3

Load PSF	Load in H2O	Top		Center		Bottom		NET Defl'n at Load	Gross Defl'n at Load	Percent Recovery	Gross Percent Recovery
		Defl'n at Load	Defl'n at Load	Defl'n at Load	Defl'n at Load	Defl'n at Load	Defl'n at Load				
0.0	0.0	0.000	0.000	0.000	0.000	0.000	0.000	0.000	0.000	NA	NA
(10.4)	2.0	0.063	0.000	1.625	0.000	0.000	0.000	1.594	0.000	100.0%	100.0%
(20.8)	4.0	0.094	0.000	2.938	0.000	0.000	0.000	2.891	0.000	100.0%	100.0%
(31.2)	6.0	0.125	0.000	3.688	0.000	0.000	0.000	3.625	0.000	100.0%	100.0%
(41.6)	8.0	0.156	0.000	4.375	0.000	0.000	0.000	4.297	0.000	100.0%	100.0%
(52.0)	10.0	0.188	0.000	5.094	0.031	0.000	0.000	5.000	0.031	99.4%	99.4%
(62.4)	12.0	0.250	0.125	5.813	0.063	0.031	0.000	5.672	0.000	100.0%	98.9%
(72.8)	14.0	0.281	0.156	6.500	0.125	0.063	0.031	6.328	0.031	99.5%	98.1%
(83.2)	16.0	0.313	0.188	7.188	0.219	0.094	0.063	6.984	0.094	98.7%	97.0%
(93.6)	18.0	0.375	0.219	7.938	0.250	0.125	0.094	7.688	0.094	98.8%	96.9%
(98.8)	19.0	0.406	0.250	8.250	0.375	0.156	0.125	7.969	0.188	97.6%	95.5%
(104.0)	20.0	NR	NR	NR	NR	NR	NR				

Test discontinued when sample D1.2 Failed.

AUG 12 2004

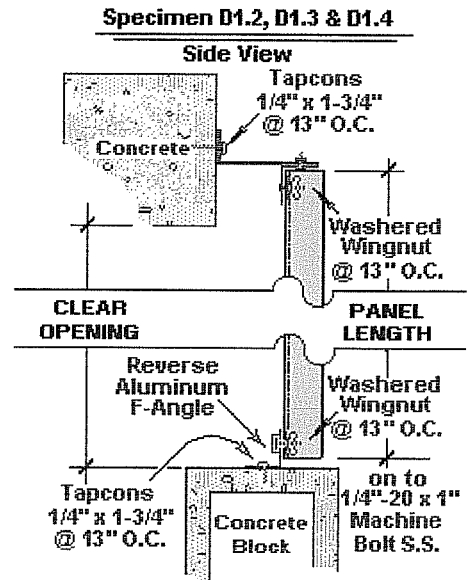
CONSTRUCTION TESTING CORPORATION

13873 N.W. 19th Avenue Miami, Florida 33054
 Phone : 305-685-6657 Fax : 305-685-6659 Email : ctclab@bellsouth.net

Specimen D1.4 : Build Out / Floor, Mount : 84" Panels : 80" C.O. : -Wind

Head: Panels were mounted at 13" on center with washered wing nuts onto a studded aluminum angle. This angle was secured with #14 x 3/4" stainless steel, self drilling, self tapping, screws at 13" on center to the 5" leg of a 2" x 5" aluminum angle, forming a 3" build out. This 2" x 5" angle was in turn secured to a concrete beam at 13" on center with Maxi Set 1/4" x 1-3/4" ITW Tapcon masonry screws. **Sill:** Panels were mounted at 13" on center with washered wing nuts onto stainless steel, 1/4"-20 x 1" machine bolts trapped into an aluminum reverse f-track. This reverse f-angle was secured at 13" on center to a concrete block beam with standard 1/4" x 1-3/4" ITW Tapcon masonry screws.

Static Wind Loading / Manner of Testing: In accordance with FBC 2001, TAS 202-94, CRITERIA FOR TESTING IMPACT & NON IMPACT RESISTANT BUILDING ENVELOPE COMPONENTS USING UNIFORM STATIC AIR PRESSURE : Loads were applied to the specimen (30 second duration) at levels specified by the client's Consulting Engineer. Polyethylene film (2 mil) and tape were used to seal air leakage during loads these were used in a manner that did not influence the results. Gauges were mounted along the centerline of the specimen's primary span to record deflections. Deflection readings follow:



Wind Load Data : Specimen D1.4

Load PSF	Load in H2O	Top		Center		Bottom		NET		Gross	
		Defl'n at Load	Defl'n at Load	Defl'n at Load	Defl'n at Load	Defl'n at Load	Defl'n at Load	Defl'n at Load	Defl'n at Load	Percent Recovery	Percent Recovery
0.0	0.0	0.000	0.000	0.000	0.000	0.000	0.000	0.000	0.000	NA	NA
(10.4)	2.0	0.000	0.000	1.438	0.000	0.000	0.000	1.438	0.000	100.0%	100.0%
(20.8)	4.0	0.063	0.000	2.688	0.000	0.000	0.000	2.656	0.000	100.0%	100.0%
(31.2)	6.0	0.094	0.000	3.438	0.000	0.000	0.000	3.391	0.000	100.0%	100.0%
(41.6)	8.0	0.125	0.000	4.125	0.000	0.000	0.000	4.063	0.000	100.0%	100.0%
(52.0)	10.0	0.156	0.000	4.813	0.094	0.000	0.000	4.734	0.094	98.0%	98.1%
(62.4)	12.0	0.188	0.000	5.500	0.188	0.031	0.000	5.391	0.188	96.5%	96.6%
(72.8)	14.0	0.219	0.094	6.188	0.219	0.047	0.031	6.055	0.156	97.4%	96.5%
(83.2)	16.0	0.250	0.125	6.875	0.250	0.063	0.063	6.719	0.156	97.7%	96.4%
(93.6)	18.0	0.281	0.156	7.594	0.313	0.078	0.063	7.414	0.203	97.3%	95.9%
(98.8)	19.0	0.219	0.188	7.875	0.375	0.094	0.063	7.719	0.250	96.8%	95.2%
(104.0)	20.0	NR	NR	NR	NR	NR	NR				

Test dis continued when sample D1.2 Failed.

Reports pertain to the samples tested only and may not be reproduced without permission. Copyright 2004

AUG 12 2004

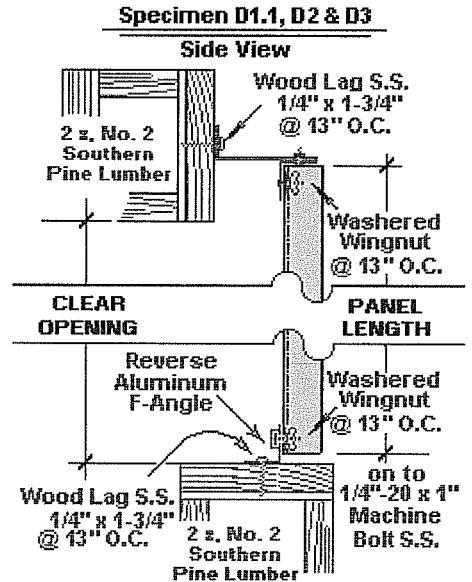
CONSTRUCTION TESTING CORPORATION

13873 N.W. 19th Avenue Miami, Florida 33054
 Phone : 305-685-6657 Fax : 305-685-6659 Email : ctclab@bellsouth.net

Specimen D2 : Build Out / Floor, Mount : 144" Panels : 140" C.O. : -Wind

Head: Panels were mounted at 13" on center with washered wing nuts onto a studed aluminum angle. This angle was secured with #14 x 3/4" stainless steel, self drilling, self tapping, screws at 13" on center to the 5" leg of a 2" x 5" aluminum angle, forming a 3" build out. This 2" x 5" angle was in turn secured to a No: 2 Southern Pine lumber beam at 13 on center with S.S. 1/4" x 1-3/4" wood lags. **Sill:** Panels were mounted at 13" O.C. with washered wing nuts onto stainless steel, 1/4"-20 x 1" machine bolts trapped into an aluminum reverse f-track. This reverse f-angle was secured to a No: 2 Southern Pine lumber beam at 13 on center with S.S. 1/4" x 1-3/4" wood lags.

Static Wind Loading / Manner of Testing: In accordance with FBC 2001, TAS 202-94, CRITERIA FOR TESTING IMPACT & NON IMPACT RESISTANT BUILDING ENVELOPE COMPONENTS USING UNIFORM STATIC AIR PRESSURE : Loads were applied to the specimen (30 second duration) at levels specified by the client's Consulting Engineer. Polyethylene film (2 mil) and tape were used to seal air leakage during loads these were used in a manner that did not influence the results. Gauges were mounted along the centerline of the specimen's primary span to record deflections. Deflection readings follow:



Wind Load Data : Specimen D2

Load PSF	Load in H2O	Top		Center		Bottom		NET		Gross	
		Defl'n at Load	Defl'n at Load	Defl'n at Load	Defl'n at Load	Defl'n at Load	Defl'n at Load	Defl'n at Load	Defl'n at Load	Percent Recovery	Percent Recovery
0.0	0.0	0.000	0.000	0.000	0.000	0.000	0.000	0.000	0.000	NA	NA
(10.4)	2.0	0.063	0.000	3.250	0.000	0.000	0.000	3.219	0.000	100.0%	100.0%
(20.8)	4.0	0.156	0.000	5.500	0.063	0.000	0.000	5.422	0.063	98.8%	98.9%
(31.2)	6.0	0.188	0.000	7.000	0.125	0.000	0.000	6.906	0.125	98.2%	98.2%
(41.6)	8.0	0.313	0.000	8.188	0.188	0.031	0.000	8.016	0.125	98.4%	98.5%
(46.8)	9.0	0.344	0.031	8.688	0.313	0.063	0.016	8.484	0.164	98.1%	97.8%
(52.0)	10.0	0.375	0.063	9.250	0.438	0.094	0.031	9.016	0.266	97.1%	96.6%
(57.2)	11.0	0.438	0.125	9.813	0.563	0.125	0.094	10.531	0.328	96.9%	96.0%
(62.4)	12.0	NR	NR	NR	NR	NR	NR				

Shear Failure at ~11-1/2" H2O, at sill, 2nd panel of three torn from fasteners.

AUG 12 2004

CONSTRUCTION TESTING CORPORATION

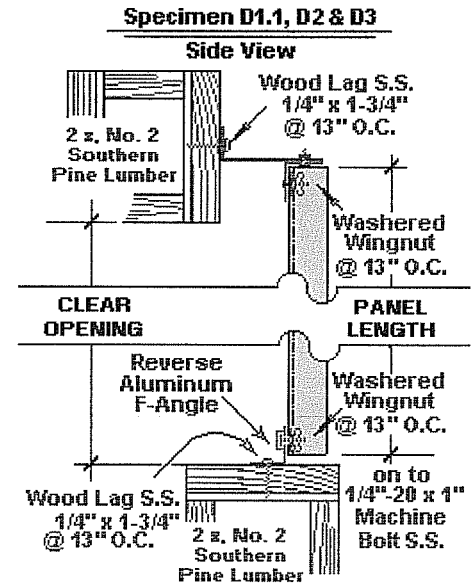
13873 N.W. 19th Avenue Miami, Florida 33054

Phone : 305-685-6657 Fax : 305-685-6659 Email : ctclab@bellsouth.net

Specimen D3 : Build Out / Floor, Mount : 60" Panels : 57" C.O. : -Wind

Head: Panels were mounted at 13" on center with washered wing nuts onto a studded aluminum angle. This angle was secured with #14 x 3/4" stainless steel, self drilling, self tapping, screws at 13" on center to the 5" leg of a 2" x 5" aluminum angle, forming a 3" build out. This 2" x 5" angle was in turn secured to a No: 2 Southern Pine lumber beam at 13 on center with S.S. 1/4" x 1-3/4" wood lags. **Sill:** Panels were mounted at 13" O.C. with washered wing nuts onto stainless steel, 1/4"-20 x 1" machine bolts trapped into an aluminum reverse f-track. This reverse f-angle was secured to a No: 2 Southern Pine lumber beam at 13 on center with S.S. 1/4" x 1-3/4" wood lags.

Static Wind Loading / Manner of Testing: In accordance with FBC 2001, TAS 202-94, CRITERIA FOR TESTING IMPACT & NON IMPACT RESISTANT BUILDING ENVELOPE COMPONENTS USING UNIFORM STATIC AIR PRESSURE : Loads were applied to the specimen (30 second duration) at levels specified by the client's Consulting Engineer. Polyethylene film (2 mil) and tape were used to seal air leakage during loads these were used in a manner that did not influence the results. Gauges were mounted along the centerline of the specimen's primary span to record deflections. Deflection readings follow:



Wind Load Data : Specimen D3

Load PSF	Load in H2O	Top		Center		Bottom		NET		Gross	
		Def'n at Load	Def'n at Load	Def'n at Load	Def'n at Load	Def'n at Load	Def'n at Load	Def'n at Load	Def'n at Load	Percent Recovery	Percent Recovery
0.0	0.0	0.000	0.000	0.000	0.000	0.000	0.000	0.000	0.000	NA	NA
(31.2)	6.0	0.094	0.000	1.750	0.000	0.000	0.000	1.703	0.000	100.0%	100.0%
(62.4)	12.0	0.188	0.000	2.938	0.000	0.000	0.000	2.844	0.000	100.0%	100.0%
(93.6)	18.0	0.313	0.000	3.875	0.031	0.031	0.000	3.703	0.031	99.2%	99.2%
(109.2)	21.0	0.344	0.031	4.344	0.063	0.063	0.031	4.141	0.031	99.2%	98.6%
(124.8)	24.0	0.406	0.063	4.844	0.125	0.125	0.063	4.578	0.063	98.6%	97.4%
(140.4)	27.0	0.438	0.094	5.344	0.188	0.188	0.094	5.031	0.094	98.1%	96.5%
(145.6)	28.0	0.500	0.125	5.500	0.250	0.250	0.125	5.125	0.125	97.6%	95.5%
(150.8)	29.0	NR	NR	NR	NR	NR	NR				

Shear Failure at ~27-1/2" H2O, at sill, 1st & 2nd panel overlap, torn from fastener.

Reports pertain to the samples tested only and may not be reproduced without permission. Copyright 2004

04-009 FE FBC : 19 July 2004 : Page 11 of 12

AUG 12 2004

CONSTRUCTION TESTING CORPORATION

13873 N.W. 19th Avenue Miami, Florida 33054

Phone : 305-685-6657 Fax : 305-685-6659 Email : ctclab@bellsouth.net

Report No: 04-009 FE FBC

19 July 2004

Test Dates: 14, 26, 27 & 28 May, 2 June & 5 July 2004

Test Summary : Polycarbonate Hurricane Shutter Panels

Client:

Transparent Protection Systems, Inc.

6643 North 42nd Terrace

West Palm Beach, FL 33407

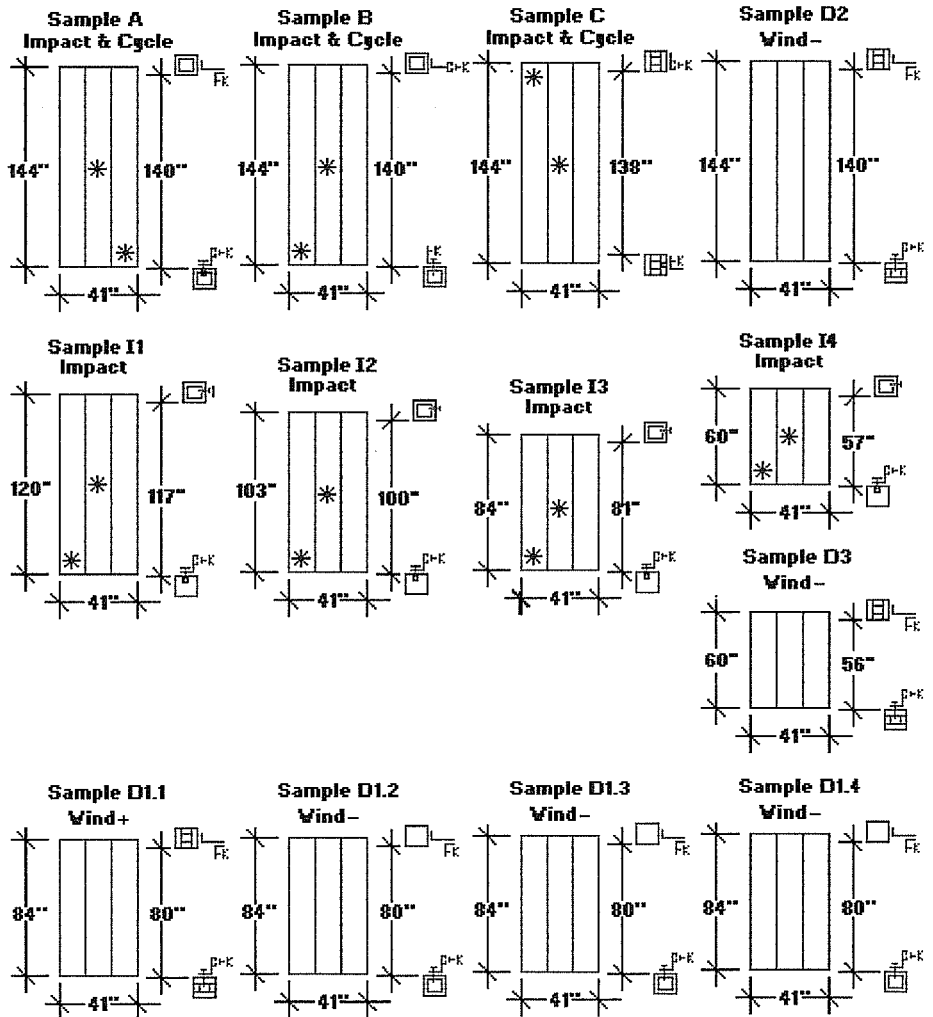
Phone: 888-447-8320 Fax: 561-844-2445

IMPACTS : Specimens A, B, C, I1, I2, I3 & I4 were impacted in accordance with FBC 2001 TAS 201-94. None failed as a result of large missile impacts.

CYCLIC WIND LOADS : Specimens A, B & C were subjected to cyclic wind loads in accordance with FBC 2001 TAS 203-94. All specimen successfully completed the cyclic wind loads to verified a Design Load of +/- 39.0 PSF.

WIND LOADS : Specimens D1.1, D1.2, D1.3, D1.4, D2 & D3 were subjected to static wind loads in accordance with FBC 2001 TAS 202-94. Specimen were tested to failure, these failures are described following the relevant data.

CONCLUSION: Following testing all specimen were disassembled. No failures were observed in the shutters, the fastenings or anchorages. The shutter product was tested in accordance with and meets the requirements to comply with Florida Building Code 2001, Sections 1606, 1619 & 1626.



Respectfully submitted, CONSTRUCTION TESTING CORPORATION
(Miami-Date Certification # 01/0924.04)

Report by George Dotzler:

Test witnessed & report reviewed

By Yamil G. Kuri, P.E.:

Reports pertain to the samples tested only and may not be reproduced without permission. Copyright 2004